



Evolution Wireless Digital

EW-DX TS 3-pin | EW-DX TS 5-pin

Tablestand



EW-DX TS 3-pin



EW-DX TS 5-pin

EW-DX TS tablestand transmitter is a sturdy, wireless table stand that provides a stable base for a wide range of Sennheiser gooseneck microphones. EW-DX TS is available in two variants - 3-pin or 5-pin.

FEATURES

- Compatible with all Sennheiser gooseneck microphones (depending on the version)
- 10 mW RF power with up to 100 m/328ft working range
- Charging via USB-C or wireless via CHG 2W
- Programmable mute switch - customize the device depending on your professional needs
- Up to 11 hours operation time with BA 40 battery pack
- Metal housing

DELIVERY INCLUDES

- EW-DX TS
- BA 40
- quick guide
- safety guide
- manufacturer declaration sheet

SPECIFICATIONS

System	
Audio link frequency ranges	Q1-9 470.2 - 550 MHz R1-9 520 - 607.8 MHz S1-10 606.2 - 693.8 MHz S2-10 614.2 - 693.8 MHz S4-10 630 - 693.8 MHz U1/5 823.2 - 831.8 MHz & 863.2 - 864.8 MHz V3-4 925.2 - 937.3 MHz V5-7 941.7 - 951.8 MHz & 953.05 - 956.05 MHz & 956.65 - 959.65 MHz Y1-3 1785.2 - 1799.8 MHz
Bluetooth® Low Energy (BLE) frequency range	2402 - 2480 MHz
Audio frequency response	20 Hz - 20 kHz (-3 dB)
Audio THD	≤ -60 dB for 1 kHz @ -3 dBfs input level
Dynamic range	134 dB
System latency	1.9 ms
Operating temperature	-10 °C - +55 °C (+14 °F - +131 °F)
Relative humidity	5 - 95 % (non-condensing)

EW-DX TS (Tablestand)	
Input voltage	2.0 bis 4.35 V
Input current	< 300 mA
Power supply	BA 40 rechargeable battery pack
Occupied bandwidth	200 kHz
Transmit power (radiated)	Audio link: 10 mW ERP (Range Y1-3: 12 mW ERP) LD mode: 10 mW ERP BLE: max. 10 mW EIRP
Dimensions	166.7 x 120.2 x 48.1 mm (6.56" x 4.73" x 1.89")
Weight (without batteries)	approx. 650 g (1.43 lbs)



Evolution Wireless Digital

EW-DX TS 3-pin | EW-DX TS 5-pin

Tablestand

PRODUCT VARIANTS

EW-DX TS 3-pin (Q1-9)	470.2 - 550 MHz	Art. no. 509440
EW-DX TS 3-pin (R1-9)	520 - 607.8 MHz	Art. no. 509441
EW-DX TS 3-pin (S1-10)	606.2 - 693.8 MHz	Art. no. 509442
EW-DX TS 3-pin (S2-10)	614.2 - 693.8 MHz	Art. no. 509445
EW-DX TS 3-pin (S4-10)	630 - 693.8 MHz	Art. no. 509446
EW-DX TS 3-pin (U1/5)	823.2 - 831.8 MHz & 863.2 - 864.8 MHz	Art. no. 509447
EW-DX TS 3-pin (V3-4)	925.2 - 937.3 MHz	Art. no. 509449
EW-DX TS 3-pin (V5-7)	941.7 - 951.8 MHz & 953.05 - 956.05 MHz & 956.65 - 959.65 MHz	Art. no. 509450
EW-DX TS 3-pin (Y1-3)	1785.2 - 1799.8 MHz	Art. no. 509453
EW-DX TS 5-pin (Q1-9)	470.2 - 550 MHz	Art. no. 700191
EW-DX TS 5-pin (R1-9)	520 - 607.8 MHz	Art. no. 700192
EW-DX TS 5-pin (S1-10)	606.2 - 693.8 MHz	Art. no. 700193
EW-DX TS 5-pin (S2-10)	614.2 - 693.8 MHz	Art. no. 700195
EW-DX TS 5-pin (S4-10)	630 - 693.8 MHz	Art. no. 700196
EW-DX TS 5-pin (U1/5)	823.2 - 831.8 MHz & 863.2 - 864.8 MHz	Art. no. 700197
EW-DX TS 5-pin (V3-4)	941.7 - 951.8 MHz & 953.05 - 956.05 MHz & 956.65 - 959.65 MHz	Art. no. 700199
EW-DX TS 5-pin (V5-7)	1785.2 - 1799.8 MHz	Art. no. 700200
EW-DX TS 5-pin (Y1-3)	1785,2 - 1799,8 MHz	Art. no. 700203

ACCESSORIES

CHG 2W	Art. no. 506805
BA 40	Art. no. 506656

ACCESSORIES EW-DX TS 3-PIN

MEG 14-40 B	Art. no. 504791
MZH 3015	Art. no. 005074
MZH 3040	Art. no. 005076
MZH 3042	Art. no. 009384
ME 34, black	Art. no. 005060
ME 34, white	Art. no. 005061
ME 35, black	Art. no. 005063
ME 35, white	Art. no. 005064
ME 36, black	Art. no. 005065
ME 36, white	Art. no. 005066

ACCESSORIES EW-DX TS 5-PIN

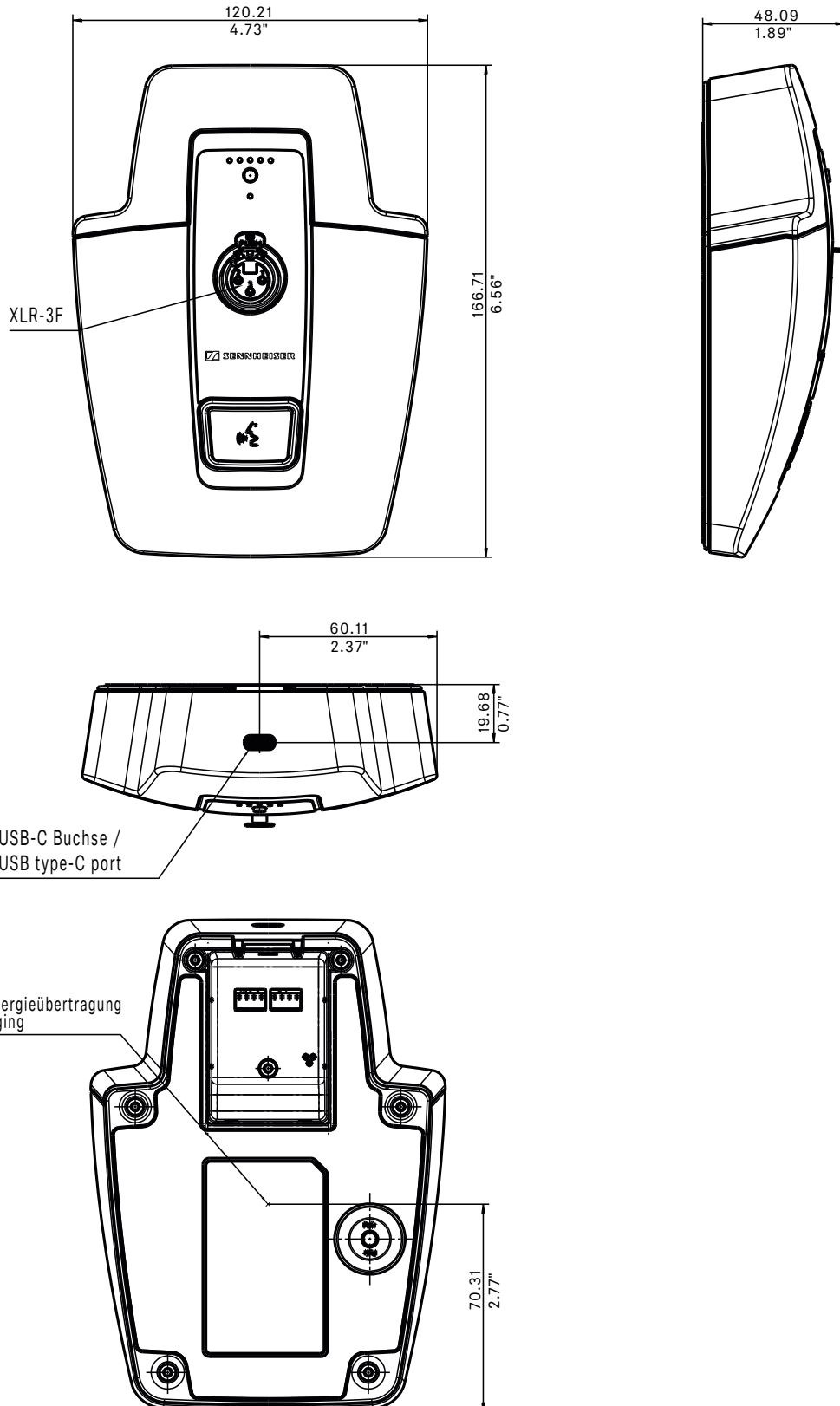
MEG 14-40-L-II B	Art. no. 506398
-------------------------	-----------------



Evolution Wireless Digital EW-DX TS 3-pin | EW-DX TS 5-pin Tablestand

DIMENSIONS

EW-DX TS 3-pin

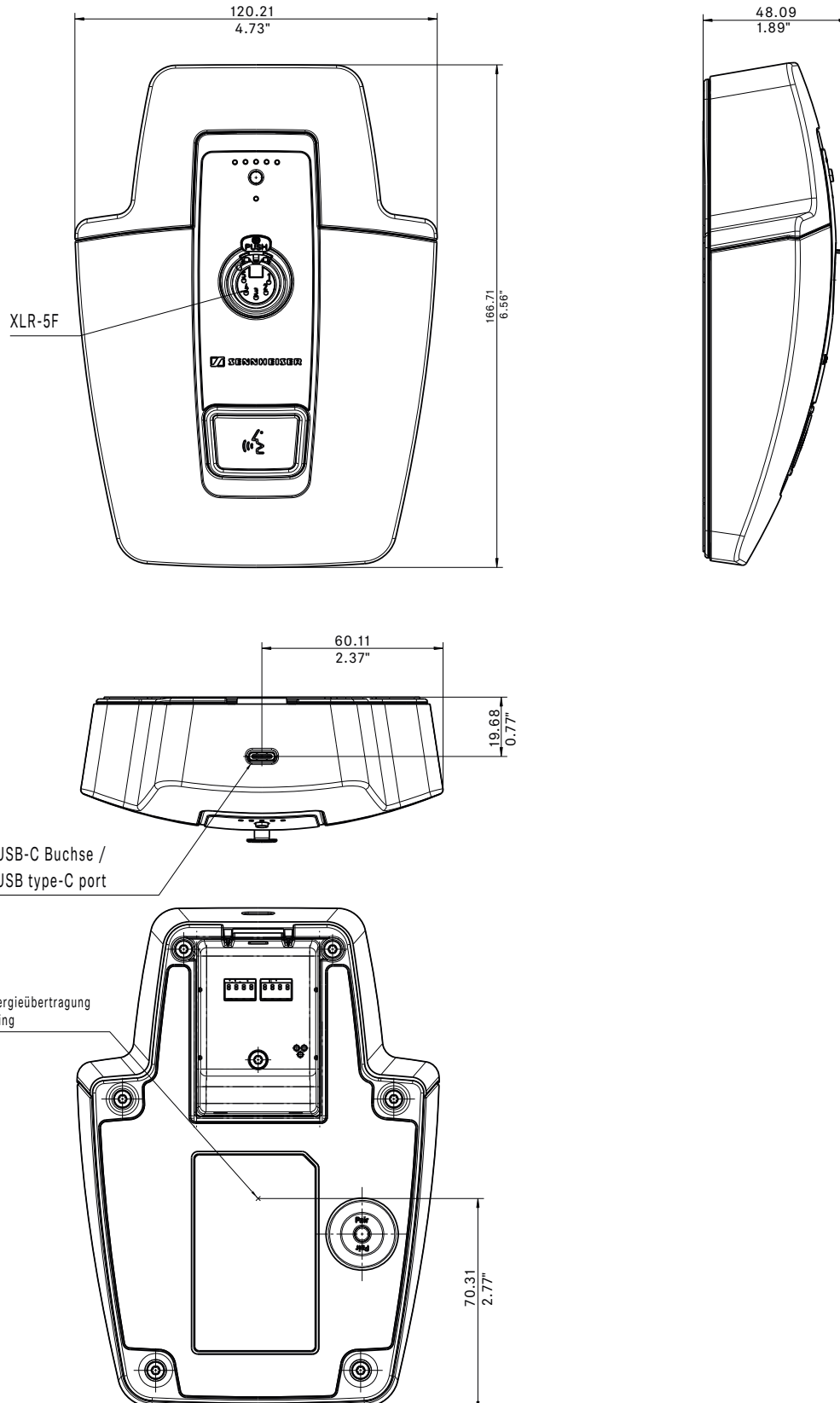




Evolution Wireless Digital EW-DX TS 3-pin | EW-DX TS 5-pin Tablestand

DIMENSIONS

EW-DX TS 5-pin





Evolution Wireless Digital

EW-DX TS 3-pin | EW-DX TS 5-pin

Tablestand

ARCHITECT'S SPECIFICATION

EW-DX TS 3-pin Tablestand

The tablestand shall be designed for use with all Sennheiser XLR-3 gooseneck microphones and be optimized for podium discussions, speeches and lectures.

The bodypack transmitter shall operate within the following UHF frequency ranges, with a switching bandwidth of up to 88 MHz: 470.2 – 550 MHz, 520 – 607.8 MHz, 606.2 – 693.8 MHz, 614.2 – 693.8 MHz, 630 – 693.8 MHz, 823.2 – 831.8 MHz, 863.2 – 846.8 MHz, 925.2 – 937.3 MHz, 941.7 – 951.8 MHz, 953.05 – 956.05 MHz, 956.65 – 959.65 MHz, 1785.2 – 1799.8 MHz. Different frequency variants shall be available depending on country-specific regulations.

Occupied bandwidth shall be 200 kHz. Transmit power (radiated) shall be 10 mW ERP (Range Y1-3: 12 mW ERP).

A programmable mute switch shall be provided for muting or unmuting the audio signal. The mute switch can also be deactivated.

Power shall be supplied to the tablestand by one Sennheiser Lithium-Ion rechargeable accupack with a typical operating time of 11 hours and shall support wireless charging as well as charging via USB.

The tablestand shall feature a 3-pin XLR socket for connection of XLR-3 gooseneck microphones.

The tablestand shall be compatible with Sennheiser gooseneck microphones: MEG 14-40 B, MZH 3015, MZH 3040, MZH 3042, microphone heads ME 35, ME 35 and ME 36.

The tablestand shall have a rugged metal housing; dimensions shall be approximately 166.7 x 120.2 x 48.1 mm (6.56" x 4.73" x 1.89"). Weight without batteries shall be approximately 650 grams. Operating temperature shall range from -10 °C to +50 °C (+14 °F to +122 °F).

The tablestand shall be the Sennheiser EW-DX TS 3-pin.

EW-DX TS 5-pin Tablestand

The tablestand shall be designed for use with all Sennheiser XLR-5 gooseneck microphones and be optimized for podium discussions, speeches and lectures.

The bodypack transmitter shall operate within the following UHF frequency ranges, with a switching bandwidth of up to 88 MHz: 470.2 – 550 MHz, 520 – 607.8 MHz, 606.2 – 693.8 MHz, 614.2 – 693.8 MHz, 630 – 693.8 MHz, 823.2 – 831.8 MHz, 863.2 – 846.8 MHz, 925.2 – 937.3 MHz, 941.7 – 951.8 MHz, 953.05 – 956.05 MHz, 956.65 – 959.65 MHz, 1785.2 – 1799.8 MHz. Different frequency variants shall be available depending on country-specific regulations.

Occupied bandwidth shall be 200 kHz. Transmit power (radiated) shall be 10 mW ERP (Range Y1-3: 12 mW ERP).

A programmable mute switch shall be provided for muting or unmuting the audio signal. The mute switch can also be deactivated.

Power shall be supplied to the tablestand by one Sennheiser Lithium-Ion rechargeable accupack with a typical operating time of 11 hours and shall support wireless charging as well as charging via USB.

The tablestand shall feature a 5-pin XLR socket for connection of XLR-5 gooseneck microphones.

The tablestand shall be compatible with the Sennheiser MEG 14-40-L-II B gooseneck microphone.

The tablestand shall have a rugged metal housing; dimensions shall be approximately 166.7 x 120.2 x 48.1 mm (6.56" x 4.73" x 1.89"). Weight without batteries shall be approximately 650 grams. Operating temperature shall range from -10 °C to +55 °C (+14 °F to +131 °F).

The tablestand shall be the Sennheiser EW-DX TS 5-pin.