



CMR 60T

TWO-WAY CEILING MONITOR SPEAKER



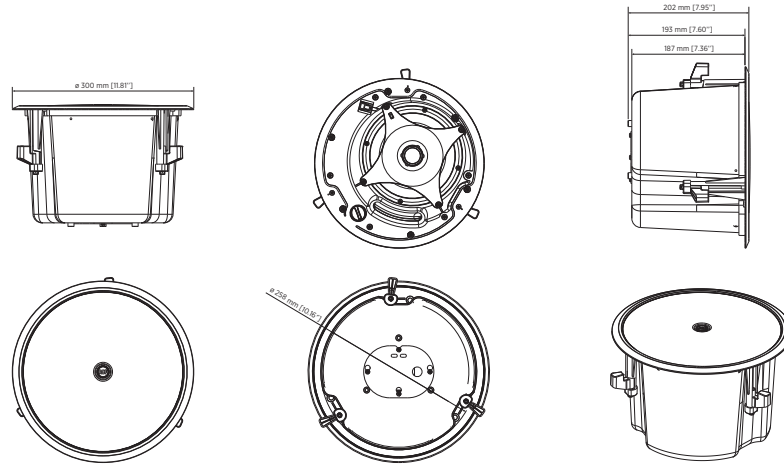
Description	<p>CMR 60T is a multipurpose two-way in-ceiling speaker, suitable for a wide range of applications. Thanks to its elegant and discreet design and accurate details, CMR 60T pairs any building's aesthetic.</p> <p>The high-quality transducers, aligned in a coaxial configuration, guarantees a precise music reproduction of the entire frequency band and provides impressive sound pressure levels for such a compact enclosure. Installation is easy with three long travel clamps.</p> <p>The magnetic grille allows immediate access to the power selector on the front shell: the line transformer provides 80W full power on 70V and 100V constant voltage lines, and five different power levels.</p>
Features	<ul style="list-style-type: none">› 80W RMS power handling› 114 dB max SPL› 70 ÷ 20000 Hz frequency range› 130° constant directivity conical coverage angle› 6.5" high power woofer› 1" neodymium dome tweeter› Self extinguishing plastic body and metal backcan› Steel magnetic front grille› 4 pole EUROBLOCK connector (audio input and parallel link output)› 5 different power levels selectable
Part Number	13100045 CMR 60T W White - RAL 9003 EAN 8024530017446



CMR 60T

TWO-WAY CEILING MONITOR SPEAKER

Line Art 2D



TECHNICAL SPECIFICATIONS

Acoustical specifications	Frequency Response (-10dB)	70 Hz ÷ 20000 Hz
	Max SPL @ 1m	114 dB
	Coverage angle	130°
	System Sensitivity	89 dB
	Power section	Amplification
	Nominal Impedance	8 ohm
	Power Handling	80 W RMS
	Peak Power Handling	320 W PEAK
	Crossover Frequencies	2500
	Recommended Amplifiers	DMA 504, DMA 162, DMA 82, DMA 162P
Transducers	Dome Tweeter	1 x 1.0" neo, 1.0" v.c
	Woofers	1 x 6.5", 1.2" v.c
Input/Output section	Input connectors	Euroblock
	Output connectors	Euroblock
	Constant Voltage Transformer	70/100 V
	Power selection 1	80 W - 125 ohm
	Power selection 2	40 W - 250 ohm
	Power selection 3	20 W - 500 ohm
	Power selection 4	10 W - 1000 ohm
	Power selection 5	5 W - 2000 ohm
Standard compliance	Safety agency	CE compliant, UL 1480A
Physical specifications	Cabinet/Case Material	ABS
	Hardware	Steel backcan
	Grille	Steel
	Color	White - RAL 9003
Size	Depth	202 mm / 7.95 inches
	Recessed Depth	193 mm / 7.6 inches
	Diameter	300 mm / 11.81 inches
	Cut out diameter	260 mm / 10.24 inches
	Weight	4.5 kg / 9.92 lbs



CMR 60T

TWO-WAY CEILING MONITOR SPEAKER

Rigging / Mounting

ACCESSORIES

- GRILLE KIT 4X CMR B	13360492	8024530019402
MUD RING 4X CMR	13360490	8024530019396
TILE BRIDGE 4X CMR	13360489	8024530019389