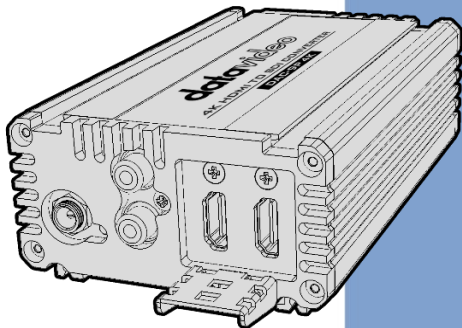


datavideo



4K HDMI to SDI Converter

DAC-9P 4K

Instruction Manual

www.datavideo.com

Table of Contents

FCC COMPLIANCE STATEMENT	4
WARNINGS AND PRECAUTIONS	4
WARRANTY	6
STANDARD WARRANTY	6
THREE YEAR WARRANTY	6
DISPOSAL	7
1. INTRODUCTION	8
2. CONNECTIONS AND CONTROLS	9
2.1 FRONT PANEL.....	9
2.2 REAR PANEL.....	11
3. FIRMWARE UPDATE	13
3.1 SYSTEM CONNECTION	14
3.2 CHECKING THE FIRMWARE VERSION.....	15
3.3 UPDATING THE FIRMWARE.....	17
4. DIMENSIONS	22
5. SPECIFICATIONS	23
SERVICE AND SUPPORT	28

Disclaimer of Product & Services

The information offered in this instruction manual is intended as a guide only. At all times, Datavideo Technologies will try to give correct, complete and suitable information. However, Datavideo Technologies cannot exclude that some information in this manual, from time to time, may not be correct or may be incomplete. This manual may contain typing errors, omissions or incorrect information. Datavideo Technologies always recommend that you double check the information in this document for accuracy before making any purchase decision or using the product. Datavideo Technologies is not responsible for any omissions or errors, or for any subsequent loss or damage caused by using the information contained within this manual. Further advice on the content of this manual or on the product can be obtained by contacting your local Datavideo Office or dealer.

FCC Compliance Statement

This device complies with part 15 of the FCC rules. Operation is subject to the following two conditions:

- (1) This device may not cause harmful interference, and
- (2) This device must accept any interference received, including interference that may cause undesired operation.



Warnings and Precautions

1. Read all of these warnings and save them for later reference.
2. Follow all warnings and instructions marked on this unit.
3. Unplug this unit from the wall outlet before cleaning. Do not use liquid or aerosol cleaners. Use a damp cloth for cleaning.
4. Do not use this unit in or near water.
5. Do not place this unit on an unstable cart, stand, or table. The unit may fall, causing serious damage.
6. Slots and openings on the cabinet top, back, and bottom are provided for ventilation. To ensure safe and reliable operation of this unit, and to protect it from overheating, do not block or cover these openings. Do not place this unit on a bed, sofa, rug, or similar surface, as the ventilation openings on the bottom of the cabinet will be blocked. This unit should never be placed near or over a heat register or radiator. This unit should not be placed in a built-in installation unless proper ventilation is provided.
7. This product should only be operated from the type of power source indicated on the marking label of the AC adapter. If you are not sure of the type of power available, consult your Datavideo dealer or your local power company.
8. Do not allow anything to rest on the power cord. Do not locate this unit where the power cord will be walked on, rolled over, or otherwise stressed.
9. If an extension cord must be used with this unit, make sure that the total of the ampere ratings on the products plugged into the extension cord do not exceed the extension cord rating.

10. Make sure that the total amperes of all the units that are plugged into a single wall outlet do not exceed 15 amperes.
11. Never push objects of any kind into this unit through the cabinet ventilation slots, as they may touch dangerous voltage points or short out parts that could result in risk of fire or electric shock. Never spill liquid of any kind onto or into this unit.
12. Except as specifically explained elsewhere in this manual, do not attempt to service this product yourself. Opening or removing covers that are marked "Do Not Remove" may expose you to dangerous voltage points or other risks, and will void your warranty. Refer all service issues to qualified service personnel.
13. Unplug this product from the wall outlet and refer to qualified service personnel under the following conditions:
 - a. When the power cord is damaged or frayed;
 - b. When liquid has spilled into the unit;
 - c. When the product has been exposed to rain or water;
 - d. When the product does not operate normally under normal operating conditions. Adjust only those controls that are covered by the operating instructions in this manual; improper adjustment of other controls may result in damage to the unit and may often require extensive work by a qualified technician to restore the unit to normal operation;
 - e. When the product has been dropped or the cabinet has been damaged;
 - f. When the product exhibits a distinct change in performance, indicating a need for service.

Warranty

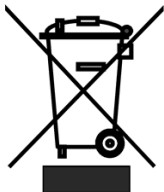
Standard Warranty

- Datavideo equipment are guaranteed against any manufacturing defects for one year from the date of purchase.
- The original purchase invoice or other documentary evidence should be supplied at the time of any request for repair under warranty.
- The product warranty period begins on the purchase date. If the purchase date is unknown, the product warranty period begins on the thirtieth day after shipment from a Datavideo office.
- Damage caused by accident, misuse, unauthorized repairs, sand, grit or water is not covered under warranty.
- Viruses and malware infections on the computer systems are not covered under warranty.
- Any errors that are caused by unauthorized third-party software installations, which are not required by our computer systems, are not covered under warranty.
- All mail or transportation costs including insurance are at the expense of the owner.
- All other claims of any nature are not covered.
- Cables and batteries are not covered under warranty.
- Warranty only valid in the country or region of purchase.
- Your statutory rights are not affected.

Three Year Warranty

- All Datavideo products purchased after July 1st, 2017 are qualified for a free two years extension to the standard warranty, providing the product is registered with Datavideo within 30 days of purchase.
- Certain parts with limited lifetime expectancy such as LCD panels, DVD drives, Hard Drive, Solid State Drive, SD Card, USB Thumb Drive, Lighting, Camera module, PCIe Card are covered for 1 year.
- The three-year warranty must be registered on Datavideo's official website or with your local Datavideo office or one of its authorized distributors within 30 days of purchase.

Disposal



For EU Customers only - WEEE Marking

This symbol on the product or on its packaging indicates that this product must not be disposed of with your other household waste. Instead, it is your responsibility to dispose of your waste equipment by handing it over to a designated collection point for the recycling of waste electrical and electronic equipment. The separate collection and recycling of your waste equipment at the time of disposal will help to conserve natural resources

and ensure that it is recycled in a manner that protects human health and the environment. For more information about where you can drop off your waste equipment for recycling, please contact your local city office, your household waste disposal service or the shop where you purchased the product.

1. Introduction

The DAC-9P 4K 4K HDMI to SDI Converter converts up to 4K50/60 4K HDMI signal to 12G-SDI signal, it is easy to connect the 4K HDMI signal devices and professional 12G-SDI video equipment.

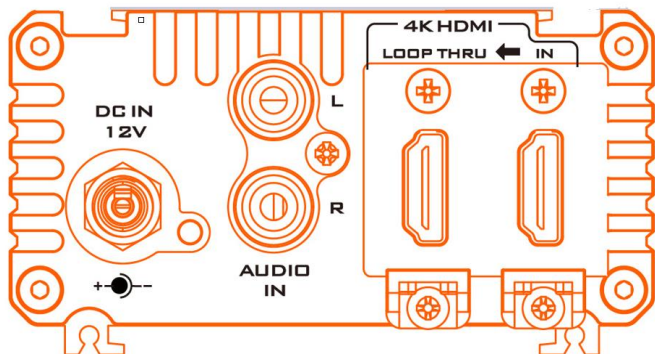
The DAC-9P 4K allows you to convert an HDMI input signal to an SDI output signal. Moreover, it provides HDMI LOOPOUT function. Furthermore, you can select the audio signal from the HDMI or the RCA analog audio signal to be the audio source for the SDI output.

The DAC-9P 4K Converter is useful for a variety of broadcast and professional AV applications.

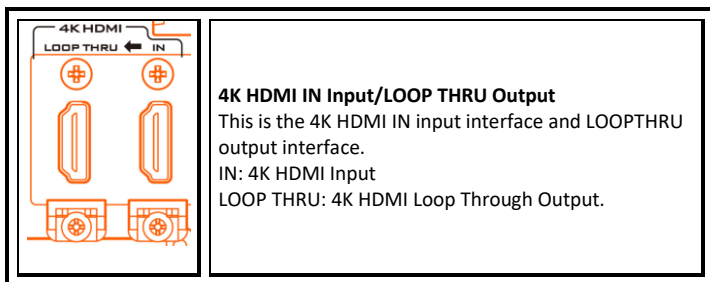
Features

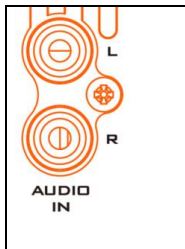
- Supports up to DCI 4K (4096 x 2160) and UHD 4K (3840 x 2160)
- Supports HDMI 2.0 input and loop-thru output
- Supports two 12G SDI output interfaces
- Supports Re-Clocking
- Provides Additional 2-Channel RCA Analog Audio Input interface
- Supports Automatic Input Signal Detection
- Aluminum appearance design, which is rugged and durable.

2. Connections and Controls



2.1 Front Panel





AUDIO IN RCA Input

Two channels of Unbalanced L / R Audio input.



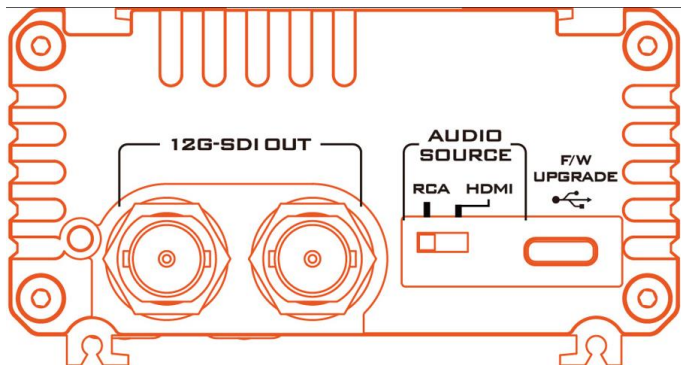
DC IN Socket

Please connect the supplied 12V DC adapter to this interface. The connection can be secured by screwing the outer fastening ring of the DC In plug to the socket.

Power LED Indicator

If the DC IN 12V power is connected, this indicator will light up.

2.2 Rear Panel



A close-up diagram of the two 12G-SDI OUT ports, showing their circular shape and internal details. A bracket above them is labeled '12G-SDI OUT'.	<p>12G-SDI OUT Output Interface</p> <p>These are two SDI OUT output interfaces for you to convert a 4K HDMI input signal to a 12G-SDI output signal and to be the output source for these two interfaces.</p> <p>Signal LED Indicator: When the output signal is connected, this indicator will light up.</p>
A close-up diagram of the AUDIO SOURCE selecting switch. It shows two toggle switches labeled 'RCA' and 'HDMI' under the heading 'AUDIO SOURCE'. A small square indicator light is visible below the switches.	<p>AUDIO SOURCE Selecting Switch</p> <p>This is the AUDIO SOURCE Selecting Switch for you to select whether you want to output the HDMI-embedded audio signal or the RCA analog audio signal.</p>

**F/W
UPGRADE**



F/W UPGRADE

This USB Type C interface is used for firmware update only.

3. Firmware Update

Firmware Update Procedure

DAC-9P 4K

This document provides procedures for updating the DAC-9P 4K 4K HDMI to SDI Converter.

Updating the DAC-9P 4K 4K HDMI to SDI Converter Firmware

What items you should prepare before updating the firmware

- The latest DAC-9P 4K firmware zip file x 1

The latest firmware zip file can be downloaded from the DAC-9P 4K product page of the Datavideo official website

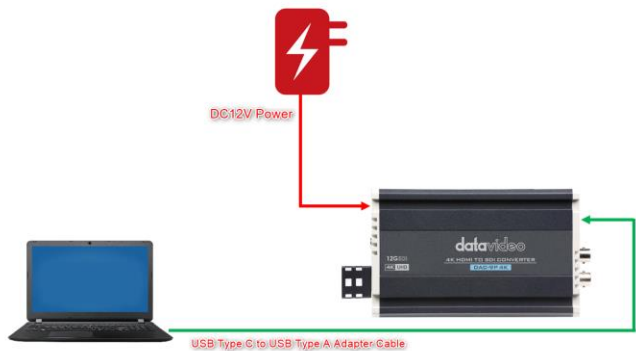
<https://www.datavideo.com/product/DAC-9P%204K> . After the downloaded firmware zip file is unzipped, you can see one firmware file.

➤ **Converter firmware file** : CV-513ZK-DV_20220818_NUC.bin

- DAC-9P 4K main unit x 1
- USB Type-C to USB Type-A adapter cable x 1
- Firmware update tool x 1
- DC 12V power adapter x 1
- Notebook PC x 1

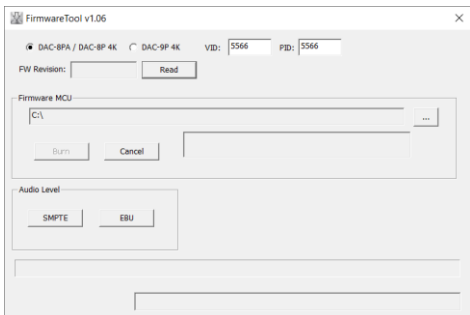
This document describes how to perform firmware update on a Windows computer.

3.1 System Connection

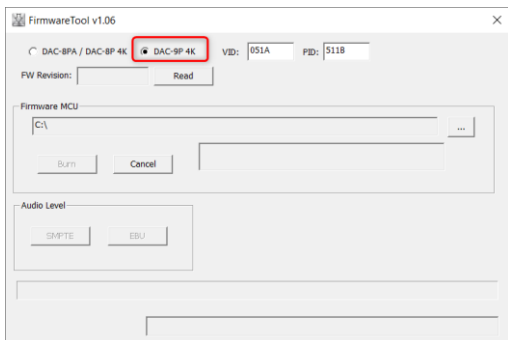


3.2 Checking the Firmware Version

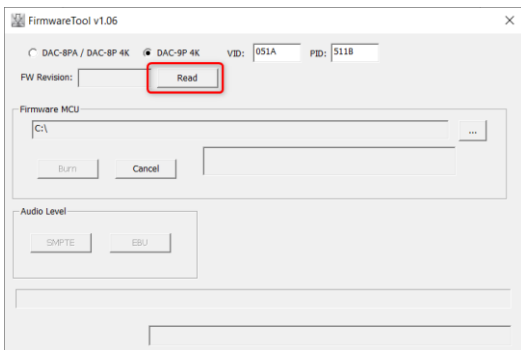
1. Please use a 12V power adapter to connect to the DC IN 12V power interface of the DAC-9P 4K.
2. Please use a USB Type-C to USB Type-A adapter cable to connect from the USB Type-C interface of the DAC-9P 4K to the USB Type A interface of your notebook PC or PC.
3. Please open the downloaded firmware update tool “DAC-TOOL.exe”.

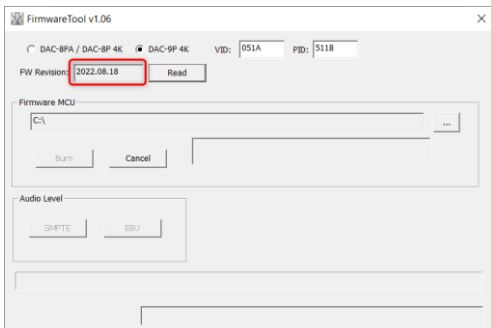


4. Please select the DAC-9P 4K option.



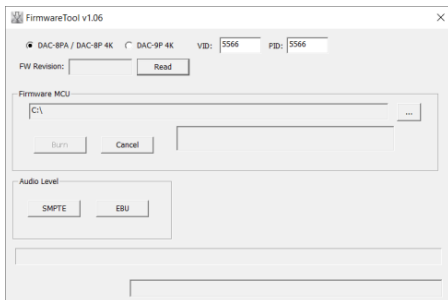
5. Please press the “Read” button next to the “FW Revision” column for reading the current firmware version.



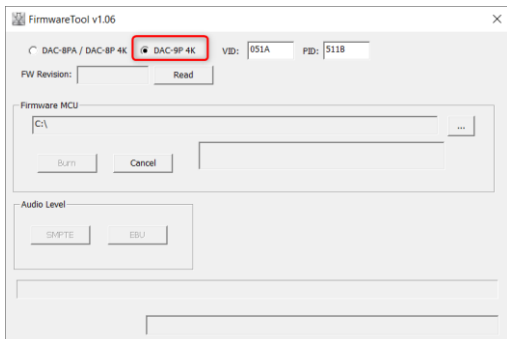


3.3 Updating the Firmware

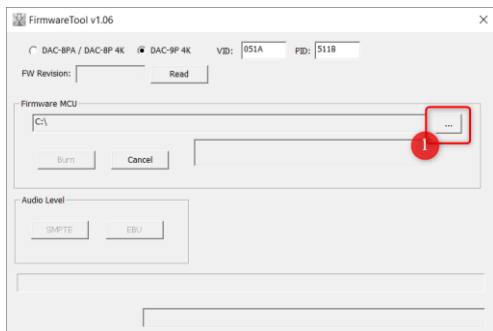
1. Please use a 12V power adapter to connect to the DC IN 12V power interface of the DAC-9P 4K.
2. Please use a USB Type-C to USB Type-A adapter cable to connect from the USB Type-C interface of the DAC-9P 4K to the USB Type-A interface of your notebook PC or PC.
3. Please open the downloaded firmware update tool “DAC-TOOL.exe”.

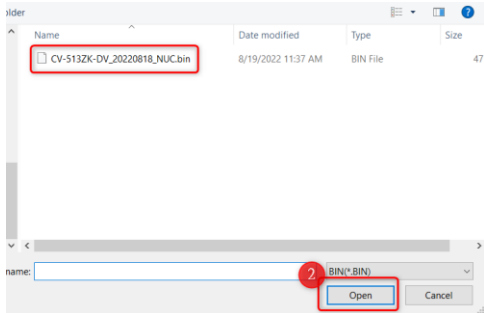


4. Please select the DAC-9P 4K option.

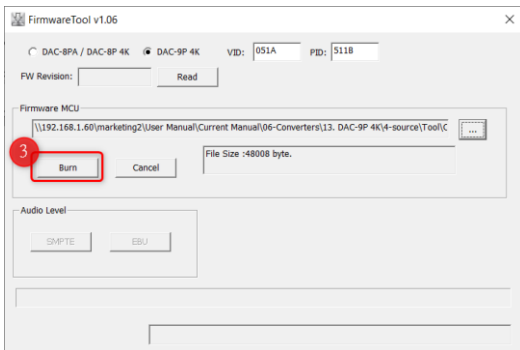


5. Please click the button next to the “Firmware MCU” to select your downloaded firmware file and then press the “Open” button.

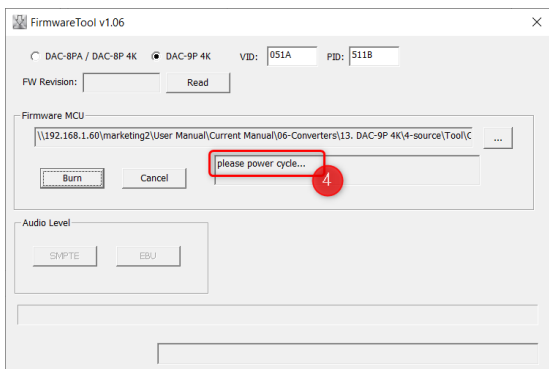




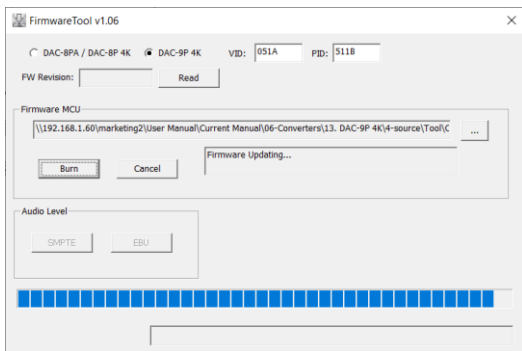
6. You can see that the firmware file is selected, please press the “Burn” button.

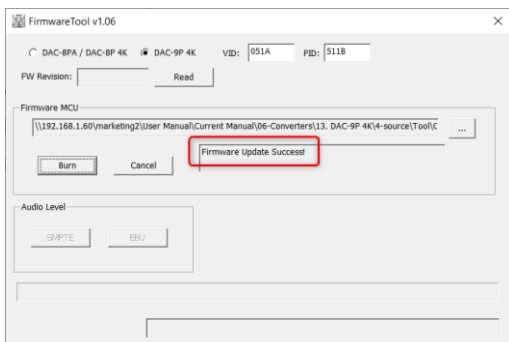


7. You will see a reminder to remind you to reboot DAC-9P 4K, please unplug and replug the power for your DAC-9P 4K.

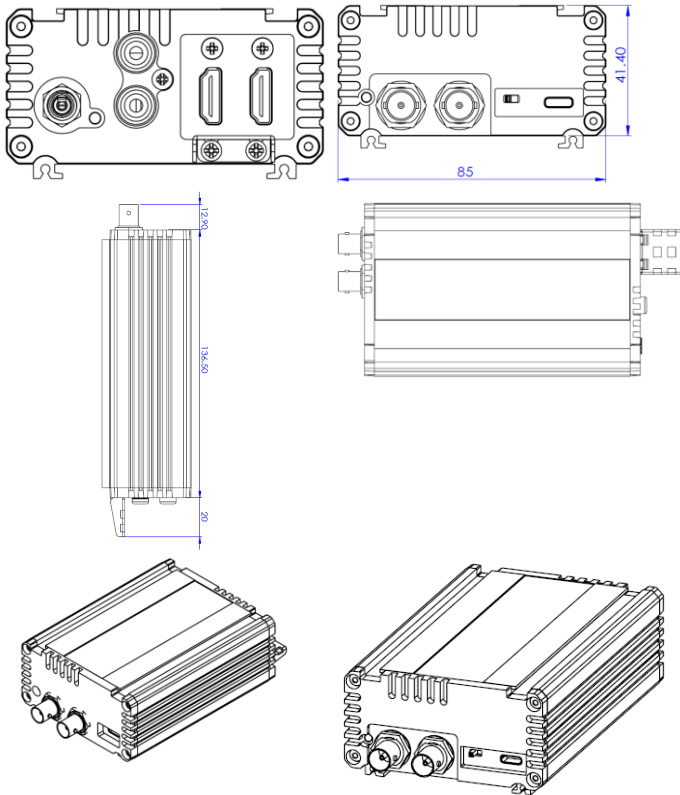


8. After the DAC-9P 4K is power-cycled, the firmware update procedure will be started automatically. After the progress bar reaches 100%, the firmware is updated successfully.





4. Dimensions



All measurements in millimeters (mm)

5. Specifications

Model Name	DAC-9P 4K
Product Name	4K HDMI to SDI Converter
Conversion	4K HDMI to 12G/3G/HD/SD-SDI
Video Inputs	1x HDMI 2.0 Type A
Loop Through	1 x HDMI 2.0 Type A
Video Outputs	2 x 12G-SDI (3G-SDI Level A)
Audio Inputs	2 x RCA (Unbalanced Audio L/R) HDMI embedded audio, 24-bit, 8-channel
Audio Outputs	SDI embedded audio, 24-bit, 8-channel
Supported Video Input Formats	4096x2160p: 60/50/30/25/24 3840x2160p: 60/50/30/25/24 1080p: 60/50/30/25/24 1080i: 60/50, 720p: 60/50

Output Resolutions	Automatically matches the SD, HD and 4K HDMI video input
Reclock	Yes
SDI Cable Drive	Yes
Updates and Configuration	USB Type C
Dimension (LxWxH)	136.5 x 85 x 45 mm
Weight	0.39 kg
Operating Temp. Range	0~40 °C
Power	DC 12V, 9.4W

Note

Note

Note

Service & Support

It is our goal to make your products ownership a satisfying experience. Our supporting staff is available to assist you in setting up and operating your system. Please refer to our web site www.datavideo.com for answers to common questions, support requests or contact your local office below.

<https://www.datavideo.com/product/DAC-9P%204K>

datavideo
www.datavideo.com



@DatavideoUSA @DatavideoIndia2016
@DatavideoEMEA @Datavideojapan
@DatavideoTaiwan @DatavideoLatam
@DatavideoAsia @DatavideoBrasil



@Datavideo
@Datavideo_EMEA
@Datavideo_Taiwan



@DatavideoUSA
@DVTWDVCN



@DatavideoUSA
@DatavideoEurope

All the trademarks are the properties of their respective owners.